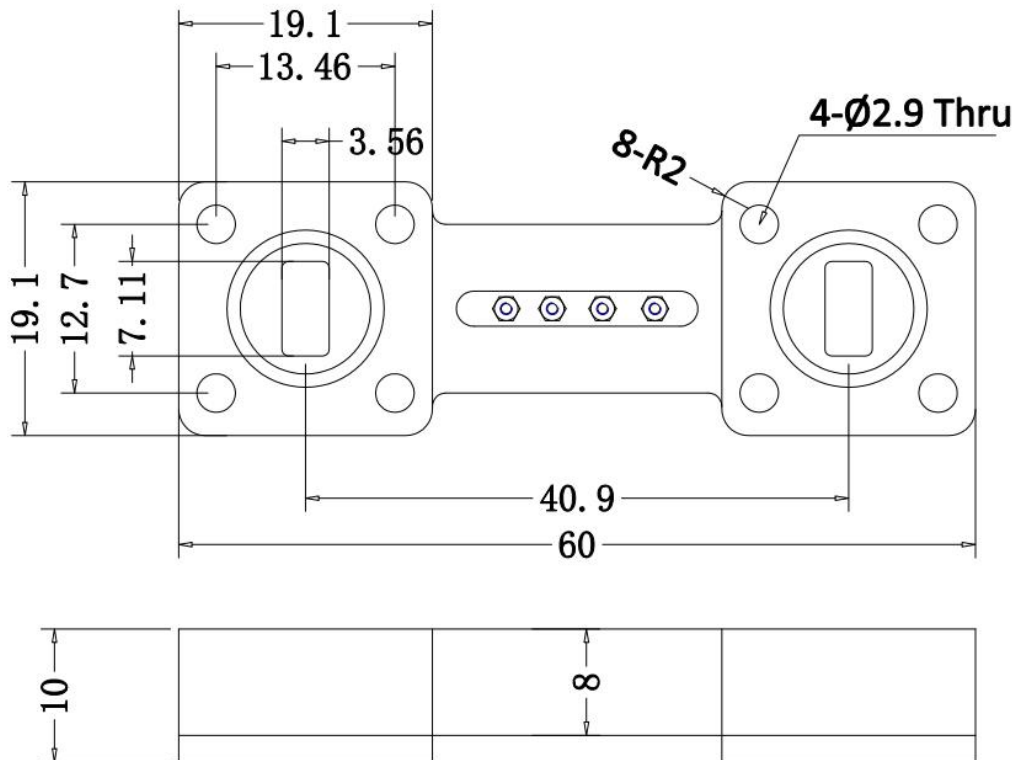


Waveguide Band-pass Filter

27500~30000 MHz

Physical Dimensions ($\pm 0.3\text{mm}$)



RF Parameter	
Frequency range (MHz)	27500~30000
RF connectors	BJ320
Insertion loss (dB)	≤ 1.2
Pass Band Ripple	$\leq \pm 0.5$ dB
Rejection	$\geq 60\text{dBc}@22500\sim 23500\text{MHz}$ $\geq 60\text{dBc}@50000\sim 60000\text{MHz}$
VSWR	≤ 1.3
Impedance	50 Ω
Power Handling(W)	20
Surface Finish	Silver Plated

Environmental	
Operating Temperature	-40~+75°C
Storage Temperature	-50~+85°C

Telecommunication



Satellite Teleport



Military/Security



Radar



<https://raytheosmicrowave.com/>

WhatsApp: +86 159 8204 8087

Email: info1@raytheosmicrowave.com