

## 4000W High Power SPDT Switch

960 - 1250MHz

- Single pole double throw PIN diode reflective switch
- TTL control
- High power
- Rugged construction
- Customization available
- Available with RF connector

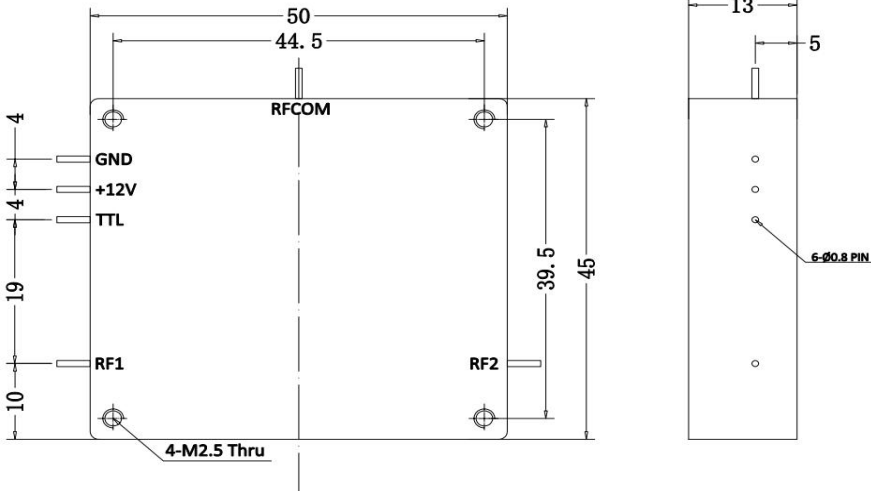
RF Parameter	
<b>Switching Type</b>	Reflective
<b>Frequency Range (MHz)</b>	960~ 1250
<b>Isolation</b>	50 dB min
<b>Impedance</b>	50 Ohm
<b>VSWR</b>	≤ 1.3
<b>Insertion Loss</b>	≤ 0.6 dB
<b>Switching time</b>	1us Max
<b>Power handling</b>	4000 watts (pulse , 2% duty cycle)
<b>Surface Treatment</b>	Aluminum, Electric Conductive Oxidation (Natural colour)
<b>Power &amp; Control Connectors</b>	∅ 0.8 Pin
<b>RF connectors</b>	∅ 0.8 Pin,SMA Removable

Bias Requirements	
<b>Power Supply Max</b>	+12V DC@I ≤ 300 mA
<b>Controls</b>	Standard TTL Refer Table:1 for details

Environmental	
<b>Operating Temperature</b>	-55°C~+85°C
<b>Storage Temperature</b>	-55°C~+85°C

Table:1-TTL Controls		
Control Input TTL	Signal Path State	
	RFcom-RF1	RFcom-RF2
1	ON	OFF
0	OFF	ON

# Physical Dimensions ( $\pm 0.3\text{mm}$ )



Telecommunication

Satellite Teleport

Military/Security

Radar



<https://raytheosmicrowave.com/>

WhatsApp: +86 159 8204 8087

Email: info1@raytheosmicrowave.com